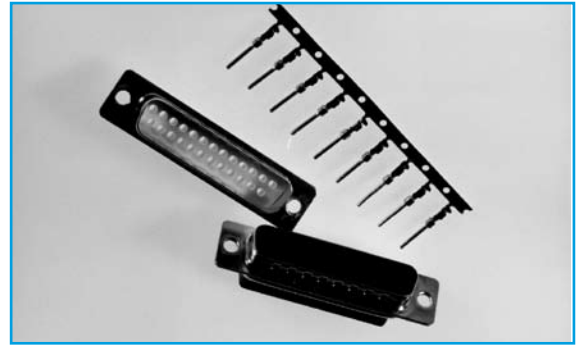


## D TYPE CONNECTORS LOW COST

- 9, 15, 25, 37 or 50 way
- Selective Gold Plated Contacts (sold separately)
- Stamped & Formed Contacts
- Tin Plated Metal Housing
- Current Rating - 5Amps
- Low cost

## D CONNECTORS - CRIMP PIN



## SPECIFICATION

### Material:

**Insulator:** PBT +30% Glass Fibre  
UL94V-0

**Pin contacts:** Phosphor Bronze  
Gold Plated

**Shell:** Steel, SPCC  
Nickel and Tin Plated

### Electrical Data:

**Rated Voltage:** 350V AC

**Rated Current:** 5A

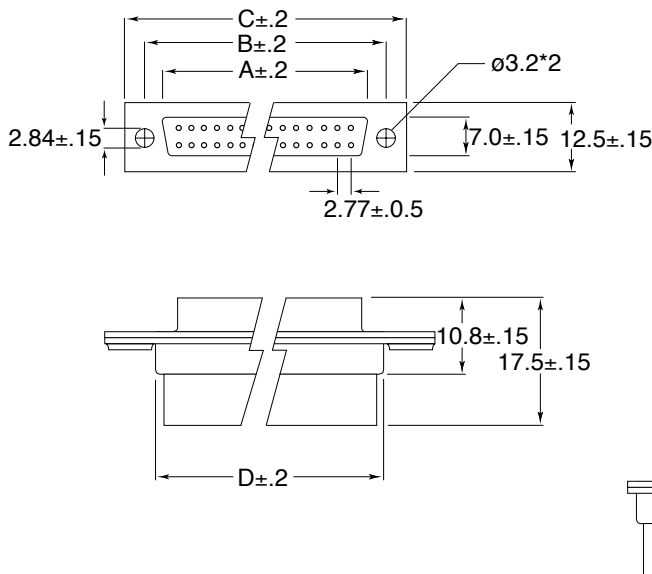
**Withstand Voltage:** 500V AC(rms)

**Insulation Resistance:** Over 1000 MΩ

**Contact Resistance:** 5 MΩ at 1A

**Temperature:** -20°C to 100°C

## OUTLINE DRAWING

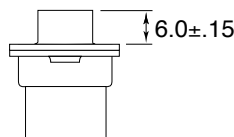


	A	B	C	D
9 WAY	16.92	25.00	30.80	19.20
15 WAY	25.25	33.30	39.20	27.70
25 WAY	38.96	47.10	53.10	41.10
37 WAY	55.42	63.50	69.40	57.30
50 WAY	52.81	61.00	67.00	55.10

Dimension - mm (Male)

	A	B	C	D
9 WAY	16.30	25.00	30.80	19.20
15 WAY	24.60	33.30	39.20	27.70
25 WAY	38.30	47.10	53.10	41.10
37 WAY	54.80	63.50	69.40	57.30
50 WAY	52.20	61.00	67.00	55.10

Dimension - mm (Female)



## ORDERING INFORMATION

### Housing

### Contacts

DBC	CD	M	09
Dubilier Connectors	Series	Contact Type	N° of Ways
	Crimp Contact Housing	M = Male(plug) F = Female(socket)	09 = 9 ways 15 = 15 ways 25 = 25 ways 37 = 37 ways 50 = 50 ways

DBC	CD	M	PIN	XX	XX
Dubilier Connectors	Series	Contact Type	Pin	Options	Options
	Crimp Contact	M = Male(plug) F = Female(socket)		Blank = Taped & Reeled A= Loose	Blank = 28/24 AWG 1= 24/20 AWG