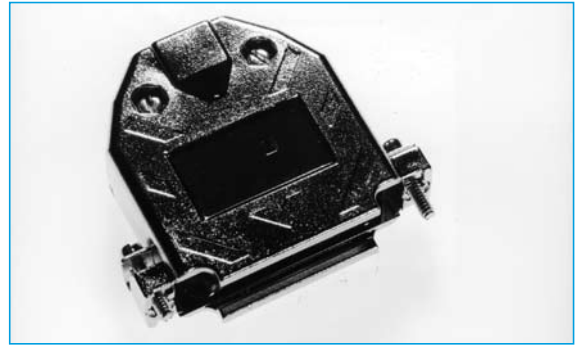


D TYPE CONNECTOR HOOD

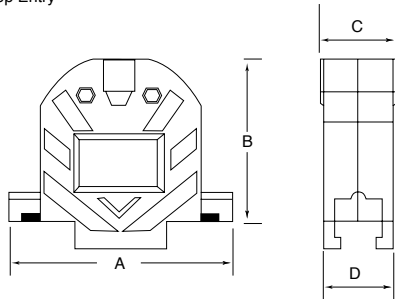
- Top or 45° Cable Entry
- Lightweight Construction
- Nickel Plated over Copper on ABS
- 9, 15, 25, 37 or 50* way
- *Top Entry Only

METALISED PLASTIC HOODS



OUTLINE DRAWING

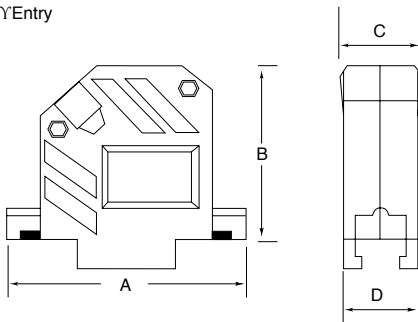
Top Entry



Shell	A	B	C	D
9 WAY	31.1	35.5	16.3	16.3
15 WAY	39.1	38.8	16.3	16.3
25 WAY	53.1	42.0	18.0	16.3
37 WAY	69.3	46.5	23.0	16.3
50 WAY	67.2	47.1	23.9	19.1

Dimension - mm

45Y Entry



Shell	A	B	C	D
9 WAY	31.1	37.2	16.3	16.3
15 WAY	39.1	40.6	16.3	16.3
25 WAY	53.1	44.1	18.0	16.3
37 WAY	69.3	45.7	22.4	16.3

Dimension - mm

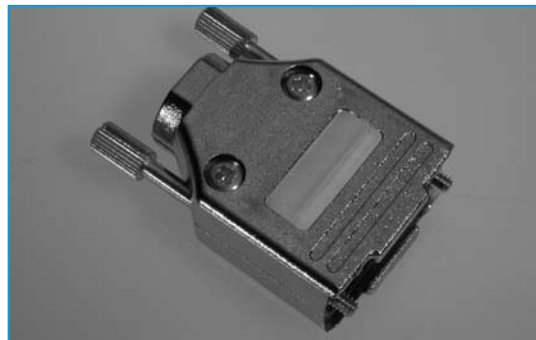
ORDERING INFORMATION

DBC	D	MPH	09	Options
Dubilier Connectors	D style	Hood Style MPH = Metalised Plastic Hood MPH45 = Metalised Plastic Hood 45°	N° of Ways 09 = 9ways 15 = 15ways 25 = 25ways 37 = 37ways *50 = 50ways	Blank = Short Screw

D TYPE CONNECTOR HOODS

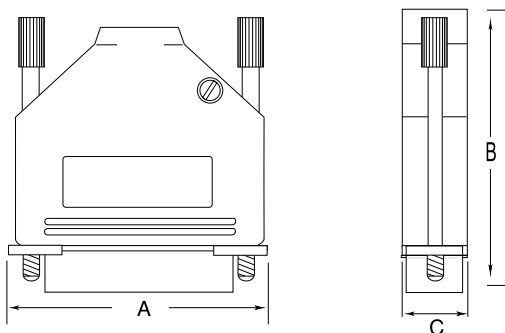
- 9, 15, 25 & 37 way
- Accommodates 3 - 13mm cable sizes
- Nickel over copper plating
- Attention better than 40dB between 30MHz to 1 GHz
- 45° Cable entry available

LOW COST METALISED PLASTIC HOOD

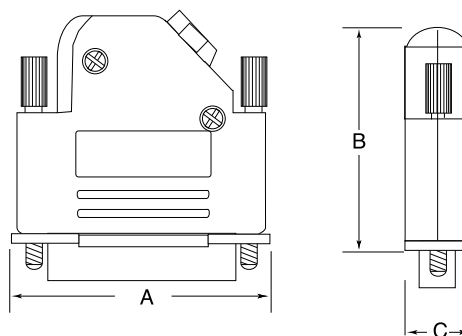


OUTLINE DRAWING

TOP ENTRY



45° ENTRY



Sub D	A	B	C
9	31.2	39.9	15.0
15	39.5	41.5	15.0
25	53.4	48.6	15.0
37	69.7	53.6	15.0

Sub D	A	B	C
9	36.3	31	15.0
15	40.3	39.5	15.0
25	40.3	53.2	15.0
37	40.3	69.7	15.0

ORDERING INFORMATION

DBC	D	MPHLC	09
Dubilier Connectors	D Style	Hood Style	N° of Ways
		MPHLC =Metalised Plastic Hood Low Cost	09 = 09ways 15 = 15ways 25 = 25ways 37 = 37ways
		MPHLC45 =Metalised Plastic Hood Low Cost 45°	