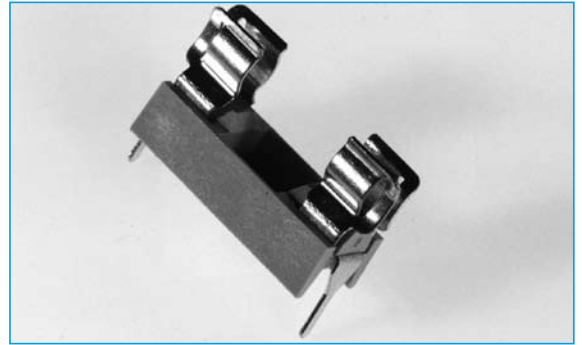


**FUSEHOLDER**

- PCB board mounting
- Kinked pin for PCB retention
- Transparent insulation cover (order separately) - DBCFH4

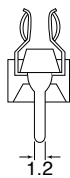
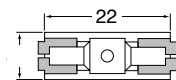
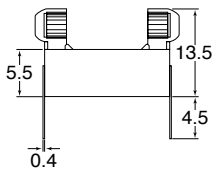
**PCB MOUNTING 5x20mm FUSEHOLDER**



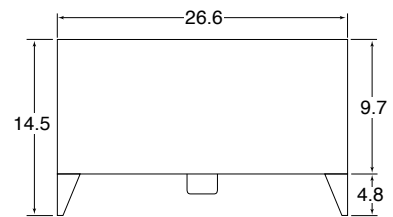
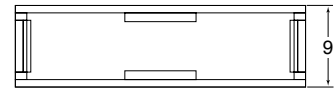
**SPECIFICATION**

**Rating:** 10A / 250V  
**Contacts/Resistance:** Tinned Nickel plated Brass/<5mΩ  
**Moulding:** UL94-V1 self extinguishing PPOM  
**Insulation Resistance:** >10<sup>2</sup>MΩ  
**Power dissipation:** 1.6W  
**Recommended PCB hole size:** 1.3mm  
**Approvals:** CE, SEMKO, VDE, UL

**OUTLINE DRAWING**



**DBC FH 3**



**DBC FH 4**

**ORDERING INFORMATION**

| DBC                 | FH                | 3     |
|---------------------|-------------------|-------|
| Dubilier Connectors | Series            | Style |
|                     | Fuse Holder       | 3     |
|                     | Fuse Holder Cover | 4     |

SECTION 13

**FUSEHOLDER**

**PCB MOUNTING 5x20mm FUSEHOLDER**

- PC board mounting
- Fuse retaining insulation cover DBCFH5 for DBCFH6
- Enclosed contacts
- 22.6mm pitch
- Black

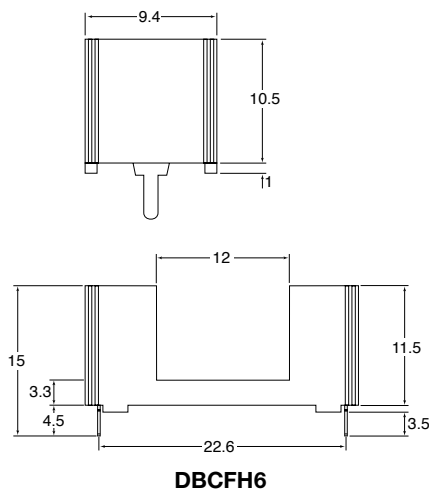
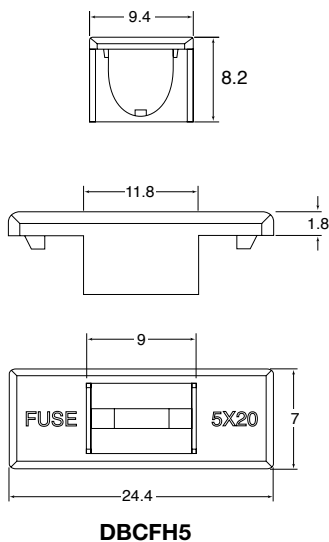


**SPECIFICATION**

**Rating:** 6.3A / 250V  
**Contacts/Resistance:** Tinned Nickel plated Brass/5mΩ  
**Material:** UL94-V0 flame retardant  
**Insulation Resistance:** >10<sup>2</sup>MΩ  
**Power dissipation:** 1.6W  
**Recommended PCB hole size:** 1.5mm  
**Approvals:** CE, SEMKO, VDE

**OUTLINE DRAWING**

SECTION 13



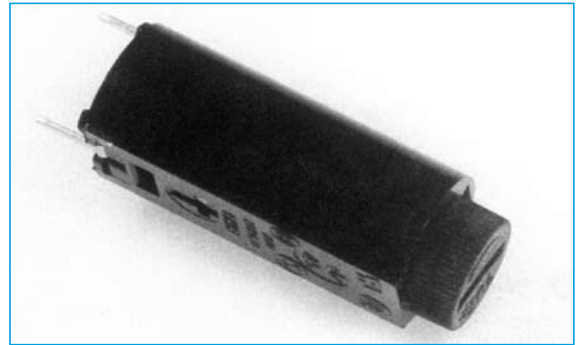
**ORDERING INFORMATION**

| DBC                 | FH                 | 5     |
|---------------------|--------------------|-------|
| Dubilier Connectors | Series             | Style |
|                     | Fuse Holders Cover | 5     |
|                     | Fuse Holders       | 6     |

**FUSEHOLDERS**

**PCB MOUNTING 5x20mm**

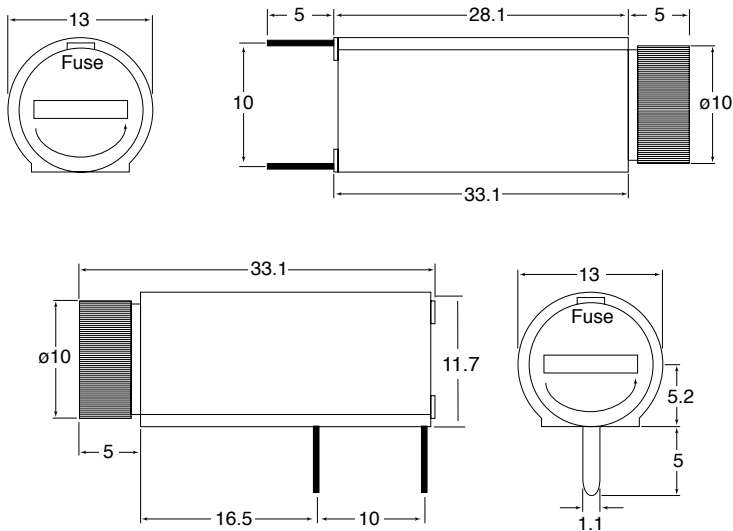
- Finger / screwdriver release bayonet carrier
- Horizontal or vertical mounting
- 10mm pitch centres



**SPECIFICATION**

**Rating:** 6.3A / 250V  
**Contacts/Resistance:** Tinned Nickel plated Brass/<5mΩ  
**Insulation Resistance:** >10<sup>2</sup>MΩ  
**Mouldings:** UL94- V0 flame retardant polyamide  
**Power dissipation:** 2.5W  
**Recommended PCB hole size:** 1.3mm  
**Approvals:** SEMKO, UL, CSA, CE, VDE

**OUTLINE DRAWING**



**DBCFH7**

**DBCFH8**

**ORDERING INFORMATION**

| DBC                 | FH          | 7     |
|---------------------|-------------|-------|
| Dubilier Connectors | Series      | Style |
|                     | Fuse Holder | 7     |
|                     | Fuse Holder | 8     |

SECTION 13