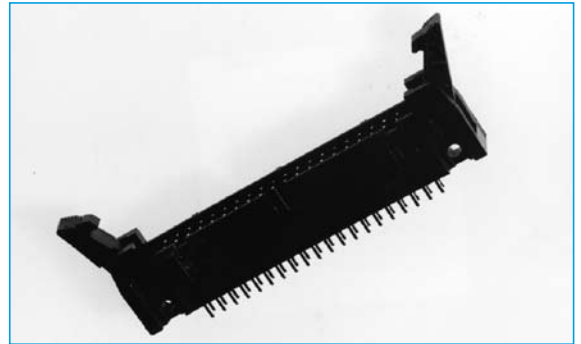


IDC

SHROUDED LATCHED HEADER - STRAIGHT

- Industry compatible
- Competitively priced
- Black or grey
- Long or short latch
- Gold contacts
- 2.54mm pitch

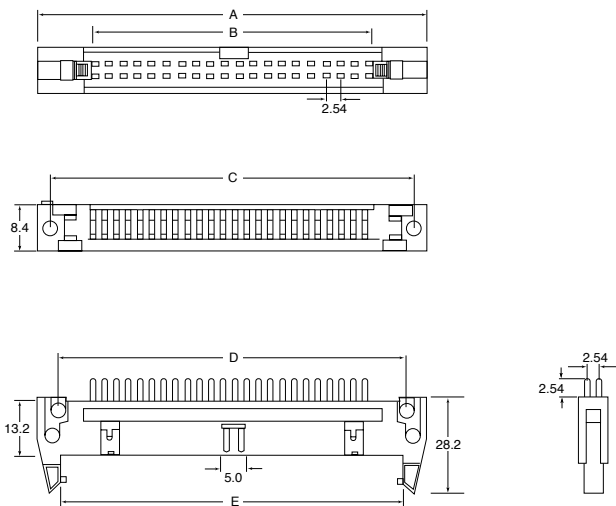


SPECIFICATION

Material & Finish

Contact Material:	Brass	Dielectric Withstanding Voltage:	500V AC for One Minute
Insulator Material:	PBT & Glass-Fibre Reinforced UL-94V-0	Operating Temperature:	-40°C to + 105°C
Current Rating:	2 A DC		
Contact Resistance:	30M Ω Max		
Insulator Resistance:	3000M Ω Min		

OUTLINE DRAWING



Position	A	B	C	D	E
10	32.30	10.16	27.68	21.70	18.25
14	37.38	15.24	32.73	26.78	23.33
16	39.92	17.78	35.27	29.32	25.87
20	45.00	22.86	40.35	34.40	30.95
24	50.08	27.94	45.43	39.48	36.03
26	52.62	30.48	47.97	42.02	38.57
30	57.50	35.56	53.50	47.10	43.65
34	62.78	40.64	58.58	52.18	48.73
40	70.40	48.26	66.20	59.80	56.35
44	75.48	53.34	71.28	64.88	61.43
50	83.10	60.96	78.90	57.26	69.05
60	95.80	73.66	91.60	69.96	81.75
64	100.88	78.74	96.88	75.04	86.83

SECTION 15

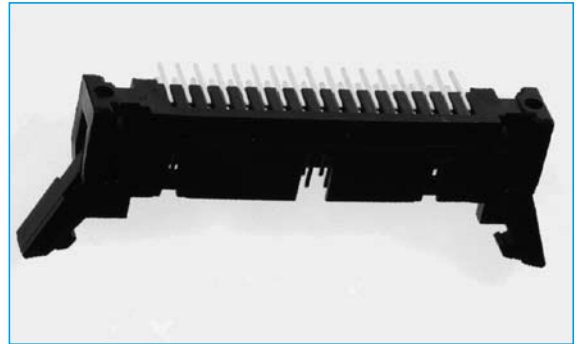
ORDERING INFORMATION

DBC	IDC	C1	10	A	S	A	1
Dubilier Connectors	IDC Connector	Series	N° of Ways	Contact Material	Contact Plating	Features	Colour
			10=10way	A=Brass	S=Selective Gold	A=Long Latch B=Short Latch	1=Black 2=Grey
			14=14way		G= Gold Flash		
			16=16way				
			20=20way				
			24=24way				
			26=26way				
			30=30way				
			34=34way				
			40=40way				
			44=44way				
			50=50way				
			60=60way				
			64=64way				

IDC

- Industry compatible
- Competitively priced
- Black or grey
- Long or short latch
- Gold plated contacts
- 2.54mm pitch

SHROUDED LATCHED HEADER - RIGHT ANGLED



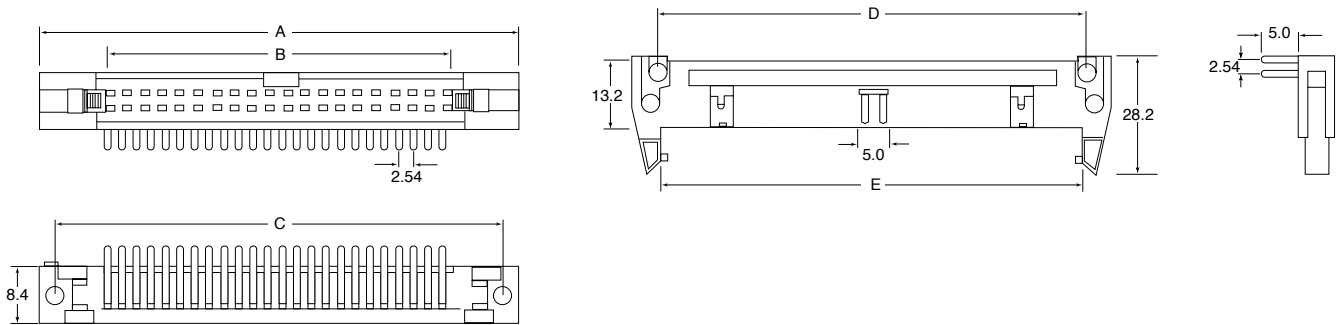
SPECIFICATION

Material & Finish

- Contact Material:** Brass
- Insulator Material:** PBT & Glass-Fibre Reinforced UL-94V-0
- Current Rating:** 2 A DC
- Contact Resistance:** 30M Ω Max
- Insulator Resistance:** 3000M Ω Min
- Dielectric Withstanding Voltage:** 500V AC for One Minute
- Operating Temperature:** -40°C to + 105°C

Position	A	B	C	D	E
10	32.30	10.16	27.68	21.70	18.25
14	37.38	15.24	32.73	26.78	23.33
16	39.92	17.78	35.27	29.32	25.87
20	45.00	22.86	40.35	34.40	30.95
24	50.08	27.94	45.43	39.48	36.03
26	52.62	30.48	47.97	42.02	38.57
30	57.70	35.56	53.50	47.10	43.65
34	62.78	40.64	58.58	52.18	48.73
40	70.40	48.26	66.20	59.80	56.35
44	75.48	53.34	71.28	64.88	61.43
50	83.10	60.96	78.90	57.26	69.05
60	95.80	73.66	91.60	69.96	81.75
64	100.88	78.74	96.88	75.04	86.83

OUTLINE DRAWING



SECTION 15

ORDERING INFORMATION

DBC	IDC	C2	10	A	S	A	1
Dubilier Connectors	IDC Connector	Series	N° of Ways	Contact Material	Contact Plating	Features	Colour
			10=10way 14=14way 16=16way 20=20way 24=24way 26=26way 30=30way	A=Brass	S=Selective Gold G= Gold Flash	A=Long Latch B=Short Latch	1=Black 2=Grey
			34=34way 40=40way 44=44way 50=50way 60=60way 64=64way				



IDC

- Industry compatible
- Competitively priced
- Various plating contacts available
- 2.54mm pitch
- Long or short latch

SHROUDED LATCHED HEADER - SMT 2.54mm



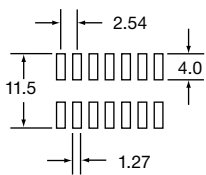
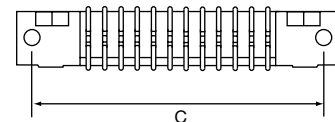
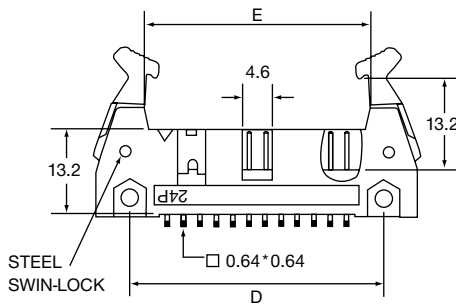
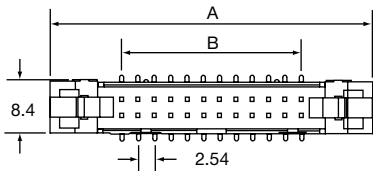
SPECIFICATION

Material & Finish

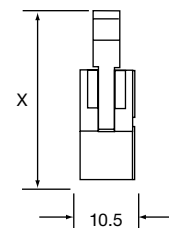
Contact Material:	Phosphor Bronze or Brass
Insulator Material:	Nylon 6T, glass reinforced, rated UL 94V-0
Current Rating:	2 Amp
Contact Resistance:	30M Ω Max
Insulator Resistance:	3000M Ω Min
Dielectric Withstanding Voltage:	500V AC for One Minute
Operating Temperature:	-40°C to + 105°C

Position	A	B	C	D	E
10	32.24	10.16	27.52	21.57	18.25
14	37.32	15.24	32.60	26.65	23.33
16	39.86	17.78	35.14	29.19	25.87
20	44.94	22.86	40.22	34.27	30.95
24	50.02	27.94	45.30	39.35	36.03
26	52.56	30.48	47.84	41.89	38.57
30	57.64	35.56	52.92	46.97	43.65
34	62.72	40.64	58.00	52.05	48.73
40	70.34	48.26	65.62	59.67	56.35
44	75.42	53.34	70.70	64.75	61.43
50	83.04	60.96	78.32	72.37	69.05
60	95.74	73.66	91.02	85.07	81.75
64	100.82	78.74	96.10	90.15	86.83

OUTLINE DRAWING



ACCESSORIES	X	Y
Long Latch	27.8	14.6
Short Latch	26.2	10.6



ORDERING INFORMATION

DBC	IDC	C1D	26	A	G	A	1
Dubilier Connectors	IDC Connector	Series	N° of Ways	Contact Material	Contact Plating	Features	Colour
			10=10way 14=14way 16=16way 20=20way 24=24way 26=26way 30=30way	A=Brass	S=Selective G= Gold Flash *=Other Plating	A=Long Latch B=Short Latch	1=Black
			34=34way 40=40way 44=44way 50=50way 60=60way 64=64way				

SECTION 15