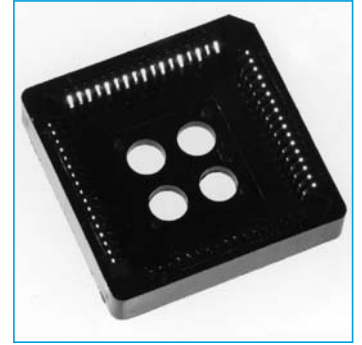
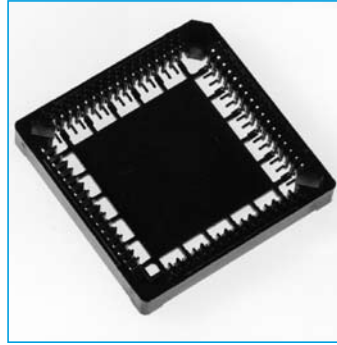


IC SOCKETS

- Competitively priced products
- Low profile
- Through hole or surface mount
- 20, 28, 32, 44, 52, 68 and 84way
- Material - PBT and PPS

PLCC



SPECIFICATION

Current Rating: 1A
Contact Material: Phosphor Bronze
Contact Plating: Tin or Selective Plated

Insulator Material:

- (1) 30% Glass Filled P.B.T. (UL94V-0) - Through hole
- (2) 40% Glass Filled P.P.S. (UL94V-0) - Surface Mount

Dielectric Withstanding Voltage: AC 600 V
Insulation Resistance: 1000 MΩ min.
Contact Resistance: 20 MΩ max.

Operating Temperature:

-45 °C to +105 °C.

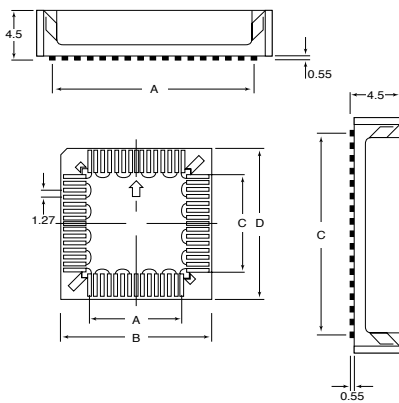
SURFACE MOUNT

No. of Contacts	A ±0.2	B ±0.2	C ±0.2	D ±0.1	E ±0.1
20	5.08	15.64	5.08	15.64	12.72
28	7.62	18.82	1.62	18.28	15.27
32	7.62	18.82	10.16	20.82	17.80
44	12.70	23.28	12.70	23.28	20.32
52	15.24	25.84	15.24	25.84	22.90
68	20.32	30.94	20.32	30.94	27.94
84	25.40	36.04	25.40	36.40	33.06

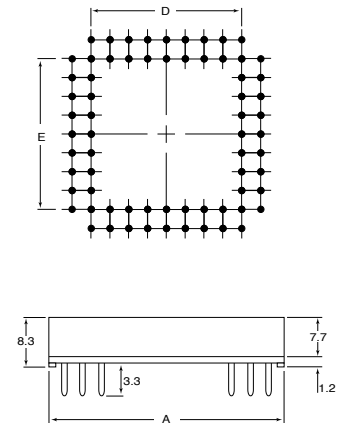
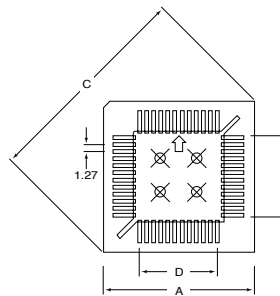
THROUGH HOLE

No. of Contacts	A ±0.2	B ±0.2	C ±0.2	D ±0.1	E ±0.1
20	15.50	15.50	16.70	5.08	5.08
28	18.00	18.00	20.38	7.62	7.62
32	18.00	20.58	22.34	7.62	10.16
44	23.58	23.58	27.60	12.70	12.70
52	25.90	25.90	31.40	15.24	15.24
68	31.80	31.80	38.34	20.32	20.32
84	36.70	36.70	45.60	25.40	25.40

OUTLINE DRAWING



SURFACE MOUNT



THROUGH HOLE

ORDERING INFORMATION

DBC	PLCC	20	SMT	TR
Dubilier Connectors	Series PLCC	No. of Ways 20=20way 28=28way 32=32way 44=44way	Package Style SMT=Surface Mount Blank=Through Hole	Options TR=Tape+Reel Blank=Loose